

13 12 11 10 9 8 7 6 5 4 3 2 1

MATERIALS AND FINISHES

BODY
BRASS
PLATED NICKEL

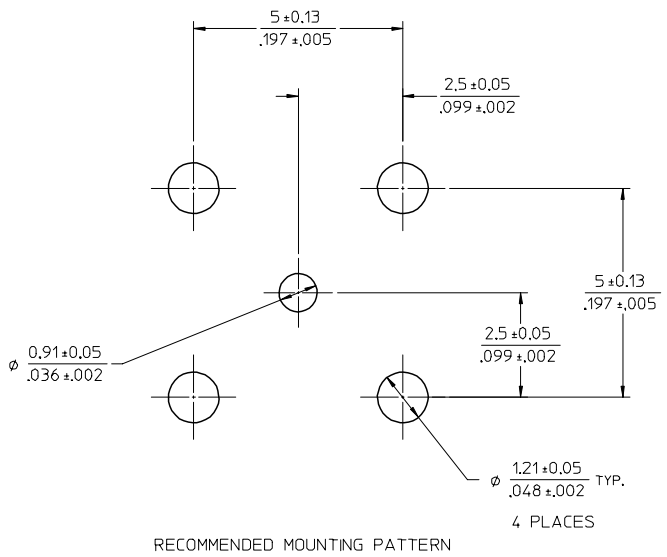
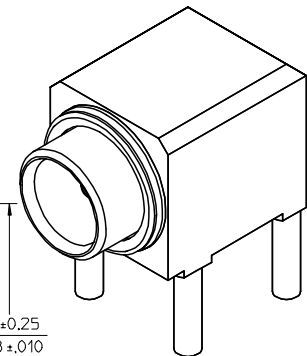
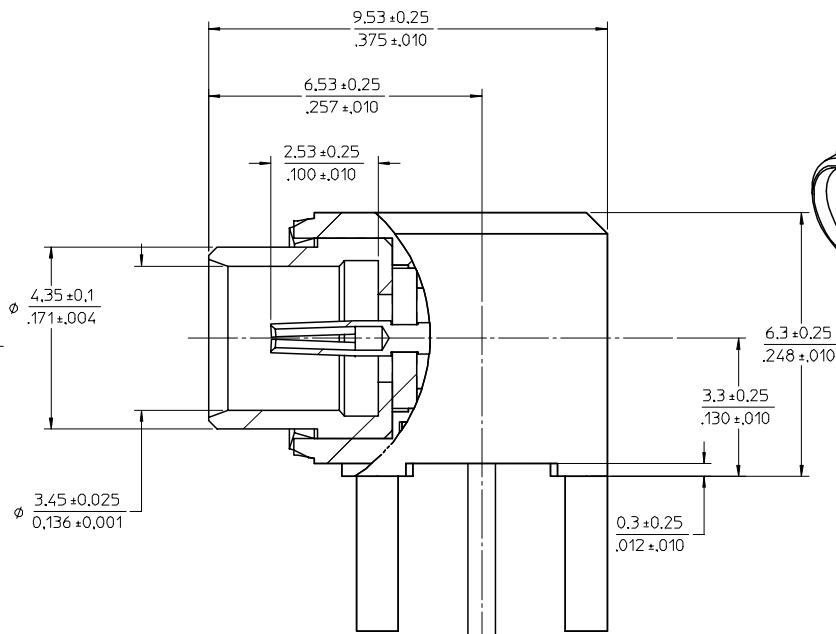
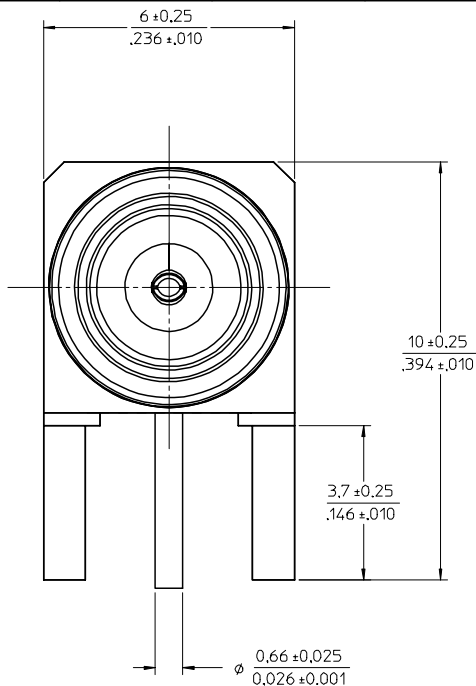
CENTER CONTACT
BERYLLIUM COPPER
PLATED GOLD

INSULATOR
TEFLON & ULTEM

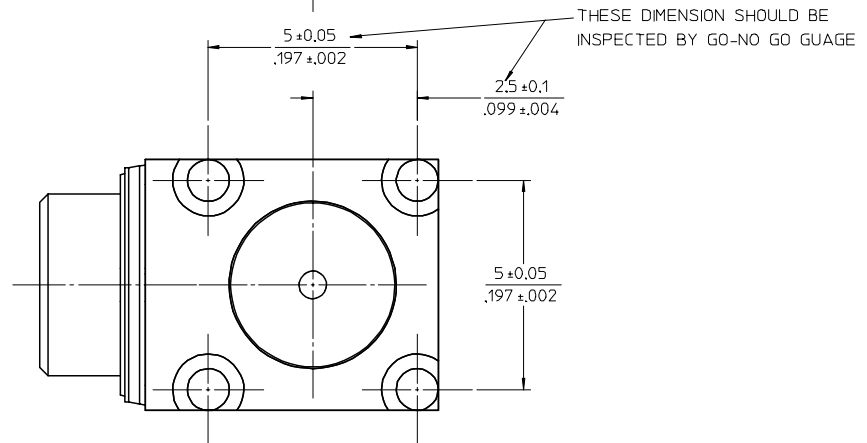
HOUSING
ZINC ALLOY,
PLATED TIN

SPECIFICATION
PS-73598-0240

PACKAGING
TRAY



RECOMMENDED MOUNTING PATTERN



CHG HOUSING PLATING
PC NO. IN PLATING
DRAWN: JTSAO 2005/05/04
CHKD: PENNY 2005/05/04
APPR: HUANG 2005/05/04
REV B1

QUALITY SYMBOLS ▽=0 ▽=0	GENERAL TOLERANCES (UNLESS SPECIFIED)		DIMENSION STYLE MM/IN	SCALE 12:1	DESIGN UNITS METRIC	THIRD ANGLE PROJECTION
	mm	INCH	DRAWN BY GMH	DATE 1998/10/13	TITLE 75 OHM MCX R/A PCB TYPE MCX-J/RA/PCB	MOLEX INCORPORATED
4 PLACES ± --- ± ---	3 PLACES ± 0.01 ± ---	2 PLACES ± 0.13 ± ---	1 PLACE ± 0.25 ± ---	APPROVED BY GMH	DATE 1998/10/13	
ANGULAR ± 2 °		DRAFT WHERE APPLICABLE MUST REMAIN WITHIN DIMENSIONS		MATERIAL NO. 734150780	DOCUMENT NO. SD-73415-078	SHEET NO. 1 OF 1
SIZE A2 THIS DRAWING CONTAINS INFORMATION THAT IS PROPRIETARY TO MOLEX INCORPORATED AND SHOULD NOT BE USED WITHOUT WRITTEN PERMISSION						

12 11 10 9 8 7 6 5 4 3 2 1